


# OPERATION MANUAL

# CCH2500

CRAWLER CRANE

SERIAL Number Hk01 & UP

質 높은 삶을 추구하는 企業  
株式會社 陸天建設 

(주)육천건설

TEL : 02-2691-6000 FAX : 02-2691-6001

Web : <http://y6000.co.kr>

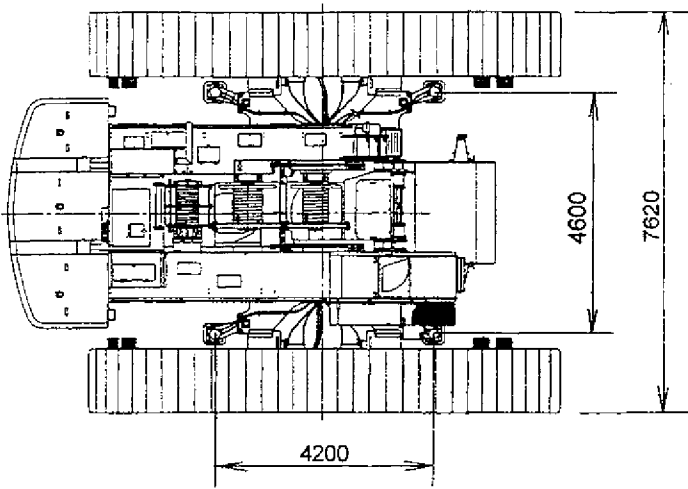
Email1 : [y6000@daum.net](mailto:y6000@daum.net)

Email2 : [yccglobal@gmail.com](mailto:yccglobal@gmail.com)

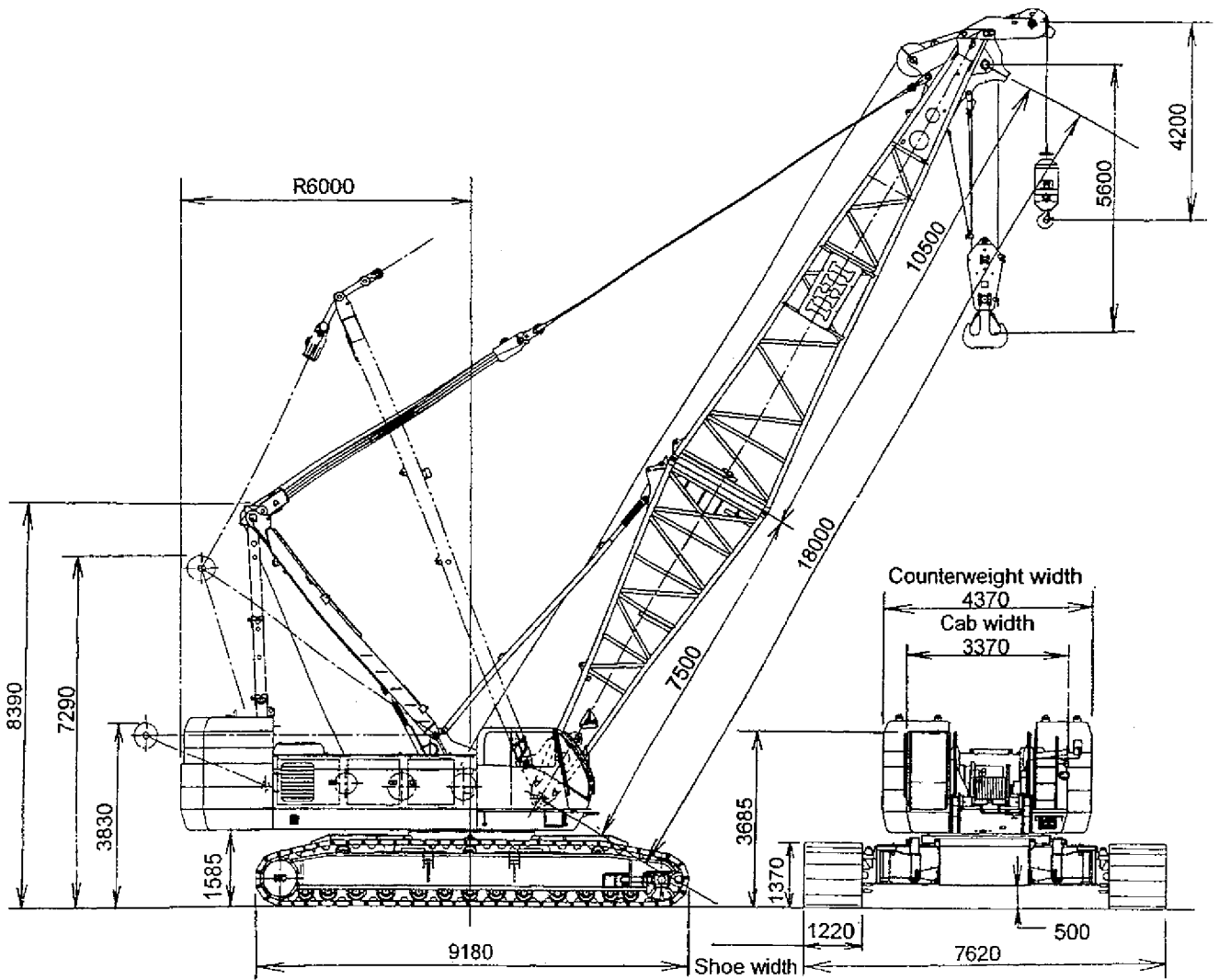
# IHI

# SPECIFICATIONS

## 1. GENERAL DIMENSIONS OF STANDARD CRANE

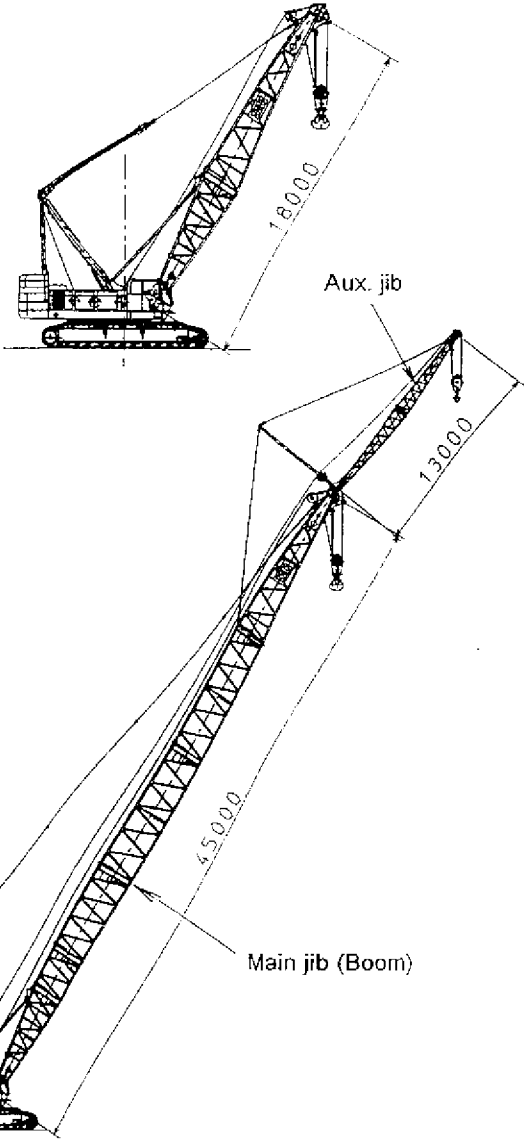


Aux. jib : option  
Aux. hook : option



SPECIFICATIONS

Full equipment  
209.2 ton



The auxiliary jib can be mounted at the point that is 45 m of the main jib length.

Shown at left is full equipment.  
232.8 ton

# SPECIFICATIONS

## 2. BASE MACHINE PERFORMANCE

(1) Speed

Name	Speed		Remarks
	High speed	Low speed	
Swing	$1.7\text{min}^{-1}$ (1.7rpm)		
Traction	*0.9km/hr	*0.5 km/hr	
Main hoist	*120/60m/min	*55/28 m/min	1st layer on drum
Aux. hoist	*120/60m/min	*55/28 m/min	1st layer on drum
Boom	*32 m/min ~ 14 m/min × 2		1st layer on drum

Note1: The value marked with "\*" will be changed according to the loads given.

Note2: It is according to ANSI B30. 5-1.7.1

(2) Gradeability

30% (16.7°)	In base machine configuration
-------------	-------------------------------

(3) Drum winding capacity

Name	Drum groove (rope dia.)	Capacity	Remarks
Main hoist	Lebus type (φ28)	470m	9th layer
Aux. hoist	Lebus type (φ28)	470m	9th layer
Boom	Lebus type (φ22)	207 × 2m	8th layer

Note : Designed and rated to comply with ANSI Code B30.5-1.7.1

The rope winding capacity does not represent the usable rope length.

(4) Combination of boom and auxiliary jib

Aux. jib length(m)	Boom length (m)																								
	18	21	24	27	30	33	36	39	42	45	48	51	54	57	60	63	66	69	72	75	78	81	84	87	90
1m aux.jib	⊙	⊙	⊙	⊙	⊙	⊙	⊙	⊙	⊙	⊙	⊙	⊙	⊙	⊙	⊙	⊙	⊙	⊙	⊙	⊙	⊙	⊙	⊙	⊙	—
13	—	—	—	—	—	—	—	—	—	⊙	⊙	⊙	⊙	⊙	⊙	⊙	⊙	⊙	⊙	—	—	—	—	—	—
19	—	—	—	—	—	—	—	—	—	⊙	⊙	⊙	⊙	⊙	⊙	⊙	⊙	⊙	⊙	—	—	—	—	—	—
25	—	—	—	—	—	—	—	—	—	⊙	⊙	⊙	⊙	⊙	⊙	⊙	⊙	⊙	⊙	—	—	—	—	—	—
31	—	—	—	—	—	—	—	—	—	⊙	⊙	⊙	⊙	⊙	⊙	⊙	⊙	⊙	⊙	—	—	—	—	—	—
37	—	—	—	—	—	—	—	—	—	⊙	⊙	⊙	⊙	⊙	⊙	⊙	⊙	⊙	⊙	—	—	—	—	—	—

## SPECIFICATIONS

### (5) Engine

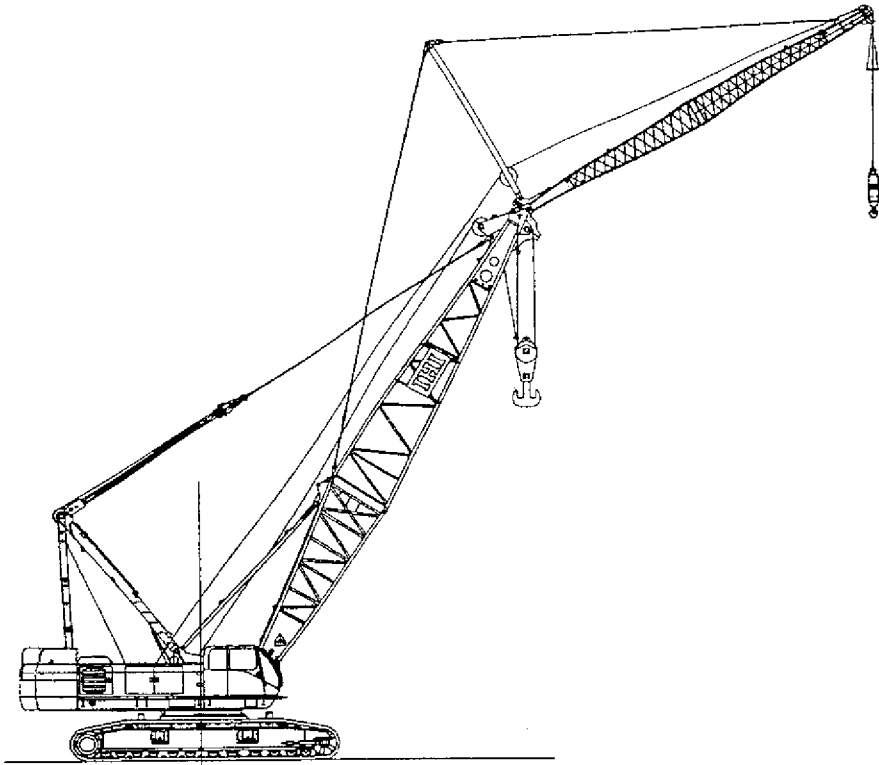
Maker	Hino Motors, Ltd.
Model	K13C - UV diesel engine (with turbo changer, inter cooler)
Type	4- stroke water - cooled overhead valve inline 6 cylinder, direct fuel injection
No. of cylinders - diameter × stroke	6- 135 × 150mm
Engine displacement	12.882L
Compression ratio	16.5:1
Rated output	275 kW/2000min <sup>-1</sup> {374ps/2000rpm}
Maximum torque	1500N · m/1400min <sup>-1</sup> {153kg · fm/1400rpm}
Fuel consumption ratio	237g/kWh {Approx. 176g/psh}
Min. rpm with no load	800 ± 25min <sup>-1</sup> (800 ± 25 rpm)
Max. rpm with no load	Below 2300min <sup>-1</sup> (below 2300rpm)
Supercharger	Exhaust turbo - supercharger
Starter	24V - 7.0 kW motor (Sawafuji Co., Ltd.)
Air cleaner	Dry filter paper type (Tokyo Filter Co., Ltd.)
Generator	AC 24V - 80A. IC regulator built in (Sawafuji Co., Ltd.)
Battery	12V - 150AH or its equivalent × 2 units
Engine oil capacity	H - 24L、L - 20L (total amount 31L)
Fuel tank capacity	450L
Cooling water capacity	55L (engine alone: 21L, radiator 22.4L, hose 10L, sub tank 1.5L)

### (6) Hydraulic oil capacity

Tank oil volume for reaching level mark	325L
Total oil volume for system	560L

## SPECIFICATIONS

### 3. STANDARD CRANE PERFORMANCE

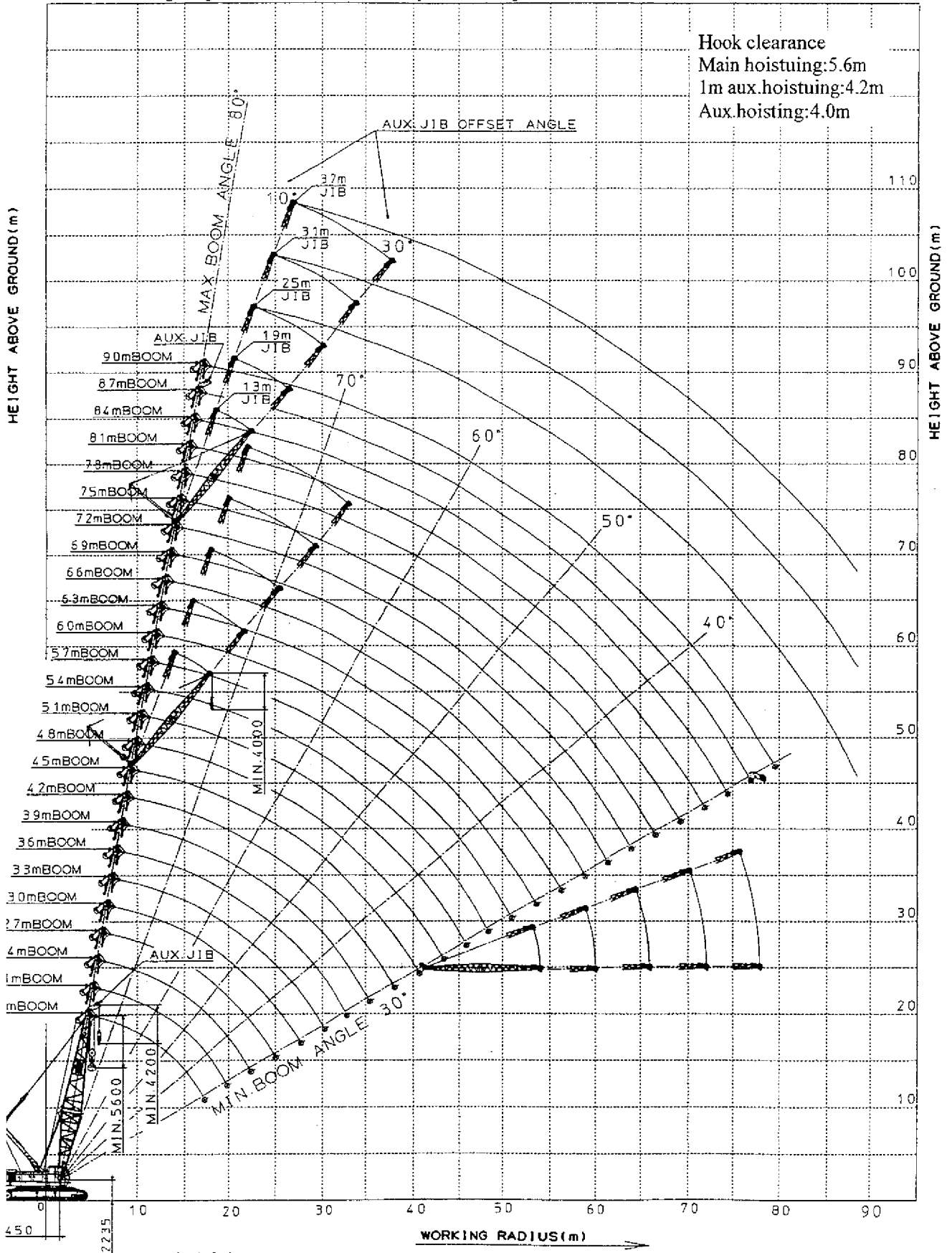


Lifting capacity	Main hoisting	Max. lifting load x working radius	250t x 5.0m
	Aux. hoisting	Max. lifting load x working radius	25t x 24m
Boom length	Main boom	Basic (inner + outer)	18m (7.5m + 10.5m)
		Maximum length	90m
	Aux. jib	Minimum ~ maximum	1m, 13m, 19m, 25m, 31m, 37m
	Maximum combination of main boom and jib boom		72m + 37m = 109m
Working range	Main boom	Working radius	5.0m ~ 74.4m
	Aux. jib	Working radius	14m ~ 88.5m
	Main boom	Max. lifting height above ground (with 90m main boom)	Approx. 85m
	Aux. jib	Max. lifting height above ground (with 72m + 37m)	Approx. 104m
	Main boom	Boom angle	30° ~ 80°
	Aux. jib	Offset angle	10°, 30°
Number of rope parts	Main hoisting	250t hook	2 to 16 part of line
	Aux. hoisting	13.5t hook / 25.0t hook	1 part of line / 2 part of line
	Booni hoisting		18 part of line
Counterweight	and carbody weight		87t + carbody 16t
Working weight	With main boom 18m long, 250t hook		209.4 t
Average grounding bearing pressure	With main boom 18m long, 250t hook		104KPa { 1.06kgf/cm <sup>2</sup> }

# SPECIFICATIONS

## 4. WORKING RANGE DIAGRAM

The actual lifting height is the value obtained by subtracting the hook clearance.



## SPECIFICATIONS

### 5. RATED OVERALL LIFTING LOAD TABLE

#### 5-1 Notes on rated overall lifting loads

- (1) All rated loads are based on the machine being operated on the firm, level, uniformly supporting surface ground, at any point of 360-around the machine within 78% of tipping load and forward stability factor over 1.15.

Working radius is horizontal distance from center of rotation to a vertical line through the center of gravity of the load.

- (2) To determine actual lifting loads, the weight of all lifting devices such as hook must be reduced from the lifting loads.

250 ton hook .....	2,900 kg	60 ton hook .....	1,200 kg
200 ton hook .....	2,700 kg	30/25 ton hook.....	1,000 kg
150 ton hook .....	2,400 kg	13.5 ton hook .....	600 kg
100 ton hook .....	1,400 kg		

- (3) The following weight must be reduced from the lifting loads to determine rated lifting loads for main boom when the jib is equipped.

Aux. jib .....	800 kg	25.0 m jib .....	4,900 kg
13.0 m jib .....	3,500 kg	31.0 m jib .....	6,000 kg
19.0 m jib .....	4,000 kg	37.0 m jib .....	6,700 kg

- (4) Depending on the number of part lines, rated lifting loads are limited as follows;

1 part line .....	upto 13.5 ton	9 part line .....	Upto 112.5 ton
2 part line .....	upto 25.0 ton	10 part line .....	Upto 125.0 ton
3 part line .....	upto 37.5 ton	11 part line .....	Upto 137.5 ton
4 part line .....	upto 50.0 ton	12 part line .....	Upto 150.0 ton
5 part line .....	upto 62.5 ton	13 part line .....	Upto 162.5 ton
6 part line .....	upto 75.0 ton	14 part line .....	Upto 175.0 ton
7 part line .....	upto 87.5 ton	15 part line .....	Upto 187.5 ton
8 part line .....	upto 100.0 ton	16 part line .....	200.0~250.0 ton

According to ANSI B30.5-1.7.1

- (5) The Aux. jib can be equipped with the range of boom length from 18 m to 87 m boom. To determine the rated lifting loads, 0.8 ton is reduced from the lifting loads in the same boom length in the lifting load chart.. However the max. lifting loads should not exceed the 13.5 ton.
- (6) When the 13 m~37 m jib mounted, the lifting loads to be determined by "Jib Rated Lifting Loads".
- (7) The total weight of the main hook and the jib hook must be reduced from the rated load when lifting on the Jib hook with the main hook being attached.
- (8) The angle formed by the extension line of main boom and the centerline of jib (offset angle) should not exceed 30 degree while the loads being lifted.



## SPECIFICATIONS

### 5-2 Main boom rated overall lifting load (103 ton counter weight)

unit : Metric ton

Boom length(m)	18		21		24		27		30		33		36		39		42		
	Working radius(m)	Load	Angle	Load	Angle	Load	Angle	Load	Angle	Load	Angle	Load	Angle	Load	Angle	Load	Angle	Load	Angle
5	250.0	80.1	5.6m ×175.0	79.9															
6	192.0	76.8	175.0	78.7	6.1m ×175.0	79.9	6.6m ×150.0	80.0											
7	163.7	73.5	163.0	75.9	158.0	77.7	150.0	79.1	7.2m ×137.5	79.8	7.7m ×140.0	79.9							
8	144.0	70.1	143.3	73.1	143.0	75.3	142.7	76.9	137.5	78.3	140.0	79.4	8.2m ×135.0	79.9	8.7m ×125.0	80.0			
9	128.4	66.7	127.8	70.2	127.5	72.8	127.2	74.7	125.2	76.3	128.0	77.6	126.0	78.6	122.5	79.5	9.2m ×112.5	80.0	
10	115.8	63.1	115.2	67.2	114.9	70.2	114.6	72.5	114.9	74.3	115.0	75.8	114.5	77.0	112.5	78.0	107.0	78.9	
12	89.8	55.6	89.5	61.1	89.4	65.0	89.2	68.0	89.7	70.3	89.5	72.2	89.6	73.7	89.4	75.0	89.1	76.1	
14	72.2	47.3	72.0	54.6	71.9	59.6	71.6	63.3	72.1	66.2	71.9	68.4	71.9	70.3	71.7	71.9	71.4	73.2	
16	60.3	37.6	60.0	47.4	59.8	53.8	59.5	58.4	60.0	61.9	59.7	64.6	59.8	66.9	59.6	68.8	59.3	70.4	
18	17.2m ×54.0	30.5	51.2	39.3	51.0	47.5	50.7	53.2	51.2	57.4	50.9	60.7	50.9	63.4	50.7	65.6	50.4	67.4	
20			19.8m ×45.2	30.4	44.4	40.5	44.0	47.6	44.5	52.7	44.2	56.6	44.2	59.7	44.0	62.3	43.6	64.4	
22					39.1	32.2	38.8	41.4	39.2	47.6	38.9	52.3	38.9	55.9	38.7	58.9	38.3	61.3	
24					22.4m ×38.2	30.3	34.6	34.4	34.9	42.2	34.6	47.7	34.6	52.0	34.4	55.4	34.0	58.2	
26							25.0m ×32.7	30.3	31.5	36.0	31.1	42.7	31.1	47.7	30.8	51.7	30.5	54.9	
28									27.6m ×29.2	30.2	28.2	37.2	28.1	43.2	27.9	47.8	27.5	51.4	
30											25.7	30.9	25.6	38.3	25.4	43.6	25.0	47.8	
32											30.2m ×25.4	30.2	23.5	32.7	23.2	39.1	22.8	44.0	
34												32.8m ×22.6	30.2	21.4	34.1	21.0	39.8		
36														35.4m ×20.2	30.2	19.4	35.3		
38																18.0	30.1		
No. of Part line	16		14		14		12		11		12		11		10		9		

# SPECIFICATIONS

unit : Metric ton

Boom length(m)	45		48		51		54		57		60		63		66		Boom length(m)
	Load	Angle	Load	Angle	Load	Angle	Load	Angle	Load	Angle	Load	Angle	Load	Angle	Load	Angle	
5																	5
6																	6
7																	7
8																	8
9	9.8m ×108.0	79.9															9
10	105.4	79.6	10.3m ×87.5	79.9	10.8m ×87.5	80.0	11.3m ×75.0	80.0	11.9m ×75.0	79.9							10
12	86.1	77.0	86.0	77.9	85.7	78.6	75.0	79.2	75.0	79.8	12.4m ×75.0	79.9	12.9m ×75.0	80.0	13.4m ×62.5	80.0	12
14	71.3	74.4	71.3	75.4	69.9	76.3	69.8	77.0	69.6	77.7	69.6	78.4	69.4	78.9	62.5	79.4	14
16	59.1	71.7	59.1	72.9	58.8	73.9	58.6	74.9	57.9	75.7	57.8	76.4	57.7	77.1	57.5	77.7	16
18	50.3	69.0	50.2	70.4	49.9	71.6	49.7	72.6	49.7	73.6	49.4	74.4	48.9	75.2	48.6	75.9	18
20	43.5	66.2	43.4	67.8	43.1	69.2	42.9	70.4	42.9	71.5	42.6	72.4	42.5	73.3	42.4	74.1	20
22	38.2	63.4	38.1	65.2	37.8	66.8	37.6	68.1	37.5	69.3	37.2	70.4	37.2	71.4	37.0	72.3	22
24	33.9	60.5	33.8	62.5	33.4	64.3	33.3	65.8	33.2	67.2	33.0	68.4	32.8	69.4	32.6	70.4	24
26	30.3	57.5	30.2	59.8	29.9	61.7	29.7	63.4	29.6	65.0	29.4	66.3	29.3	67.5	29.1	68.6	26
28	27.4	54.4	27.3	57.0	26.9	59.1	26.8	61.0	26.7	62.7	26.5	64.2	26.3	65.5	26.1	66.7	28
30	24.8	51.2	24.7	54.1	24.4	56.5	24.3	58.6	24.1	60.4	24.0	62.0	23.8	63.5	23.5	64.8	30
32	22.7	47.8	22.6	51.0	22.3	53.7	22.1	56.0	21.9	58.1	21.8	59.8	21.6	61.4	21.3	62.8	32
34	20.8	44.3	20.7	47.9	20.4	50.9	20.3	53.4	20.0	55.6	20.0	57.6	19.7	59.3	19.5	60.9	34
36	19.2	40.4	19.1	44.5	18.8	47.9	18.7	50.7	18.4	53.2	18.4	55.3	18.1	57.2	17.9	58.8	36
38	17.8	36.3	17.7	41.0	17.4	44.7	17.2	47.9	16.9	50.6	16.9	52.9	16.6	55.0	16.4	56.8	38
40	16.5	31.6	16.4	37.1	16.1	41.4	15.9	44.9	15.6	47.9	15.6	50.5	15.3	52.7	15.1	54.7	40
42	40.6m ×16.1	30.1	15.3	32.9	15.0	37.9	14.8	41.8	14.5	45.1	14.5	47.9	14.2	50.4	14.0	52.5	42
44			43.2m ×14.7	30.1	13.9	34.0	13.8	38.5	13.4	42.2	13.4	45.3	13.1	47.9	12.9	50.3	44
46					45.8m ×13.2	30.1	12.8	34.9	12.5	39.1	12.5	42.5	12.2	45.4	12.0	47.9	46
48							12.0	30.9	11.7	35.7	11.6	39.6	11.3	42.8	11.1	45.5	48
50							48.4m ×11.8	30.1	10.9	32.1	10.9	36.4	10.5	40.0	10.3	43.0	50
52									51.0m ×10.5	30.1	10.1	33.0	9.8	37.1	9.6	40.4	52
54											53.6m ×9.4	30.1	9.2	33.9	9.0	37.6	54
56													8.6	30.4	8.3	34.7	56
58													56.2m ×8.5	30.1	7.8	31.4	58
60															58.8m ×7.5	30.1	60
No. of Part line	9		7		7		6		6		6		6		5		No. of Part line

# SPECIFICATIONS

unit : Metric ton

Boom length(m)	69		72		75		78		81		84		87		90		Boom length(m)
	Load	Angle	Load	Angle	Load	Angle	Load	Angle	Load	Angle	Load	Angle	Load	Angle	Load	Angle	
5																	5
6																	6
7																	7
8																	8
9																	9
10																	10
12	13.9m x62.5	80.0															12
14	62.5	79.9	14.5m x50.0	79.9	15.0m x50.0	79.9	15.5m x50.0	80.0									14
16	57.3	78.2	50.0	78.7	50.0	79.2	48.7	79.6	37.5	80.0	16.5m x37.5	80.0	17.1m x37.5	79.9	17.6m x25.0	80.0	16
18	48.5	76.5	48.4	77.1	47.7	77.6	45.5	78.1	37.5	78.5	37.5	79.0	37.4	79.3	25.0	79.7	18
20	41.8	74.8	41.7	75.4	41.6	76.0	41.4	76.6	37.5	77.1	37.5	77.6	34.8	78.0	25.0	78.4	20
22	36.7	73.1	36.5	73.8	36.3	74.4	36.1	75.1	35.9	75.6	34.8	76.2	32.3	76.6	25.0	77.1	22
24	32.3	71.3	32.2	72.1	32.1	72.9	31.9	73.5	31.6	74.2	31.5	74.7	29.9	75.3	25.0	75.8	24
26	28.8	69.5	28.7	70.4	28.6	71.2	28.3	72.0	28.1	72.7	28.0	73.3	27.7	73.9	24.4	74.5	26
28	25.9	67.8	26.2	68.7	25.6	69.6	25.4	70.4	25.1	71.2	25.0	71.9	24.8	72.5	22.6	73.1	28
30	23.4	65.9	24.0	67.0	23.6	68.0	23.3	68.9	22.6	69.7	22.5	70.4	22.2	71.1	21.1	71.8	30
32	21.2	64.1	21.8	65.3	21.6	66.3	21.4	67.3	21.1	68.2	20.3	69.0	20.0	69.7	19.7	70.5	32
34	19.3	62.2	19.9	63.5	19.6	64.6	19.4	65.7	19.3	66.6	18.9	67.5	18.2	68.3	17.9	69.1	34
36	17.7	60.3	18.2	61.7	17.9	62.9	17.7	64.0	17.5	65.1	17.2	66.0	16.5	66.9	16.3	67.7	36
38	16.2	58.4	16.7	59.9	16.4	61.2	16.2	62.4	16.0	63.5	15.7	64.5	15.0	65.5	14.8	66.3	38
40	14.9	56.4	15.4	58.0	15.0	59.4	14.8	60.7	14.7	61.9	14.4	63.0	14.1	64.0	13.5	64.9	40
42	13.8	54.4	14.1	56.1	13.8	57.6	13.6	59.0	13.4	60.3	13.1	61.4	12.9	62.5	12.3	63.5	42
44	12.7	52.3	13.0	54.1	12.7	55.8	12.5	57.3	12.3	58.6	12.0	59.9	11.6	61.0	11.3	62.1	44
46	11.8	50.2	12.0	52.1	11.7	53.9	11.5	55.5	11.3	57.0	11.0	58.3	10.6	59.5	10.3	60.6	46
48	10.9	48.0	11.1	50.1	10.8	52.0	10.6	53.7	10.4	55.2	10.1	56.7	9.7	58.0	9.3	59.1	48
50	10.1	45.7	10.3	48.0	10.0	50.0	9.8	51.8	9.6	53.5	9.2	55.0	8.9	56.4	8.4	57.6	50
52	9.4	43.3	9.6	45.8	9.2	48.0	9.0	49.9	8.7	51.7	8.5	53.3	8.0	54.8	7.6	56.1	52
54	8.7	40.8	8.9	43.5	8.4	45.9	8.2	48.0	7.9	49.9	7.8	51.6	7.2	53.1	6.9	54.6	54
56	8.0	38.1	8.1	41.1	7.7	43.7	7.4	46.0	7.2	48.0	7.3	49.8	6.5	51.5	6.2	53.0	56
58	7.5	35.3	7.4	38.6	7.0	41.4	6.7	43.9	6.5	46.0	6.6	48.0	5.8	49.8	5.6	51.4	58
60	6.9	32.3	6.8	36.0	6.3	39.0	6.1	41.7	5.8	44.0	5.9	46.1	5.3	48.0	4.9	49.7	60
62	61.4m x6.4	30.1	6.2	33.1	5.7	36.5	5.5	39.4	5.2	41.9	5.3	44.2	4.7	46.2	4.2	48.0	62
64			5.6	30.1	5.3	33.8	5.1	37.0	4.6	39.8	4.7	42.2	4.1	44.3	3.5	46.3	64
66					4.8	31.0	4.6	34.5	4.1	37.5	4.2	40.1	3.6	42.4	2.9	44.5	66
68					66.6m x4.6	30.1	4.1	31.8	3.8	35.1	3.7	37.9	3.1	40.4	2.4	42.6	68
70						69.2m x3.8	30.0	3.3	32.5	3.2	35.6	2.6	38.3	2.2	40.7	70	
72								71.8m x2.9	30.0	2.7	33.2	2.2	36.1				72
74										2.3	30.6						74
76										74.4m x2.2	30.0						76
No. of Part line	5		4		4		4		3		3		3		2		No. of Part line

# SPECIFICATIONS

## 5-3 1m aux. jib rated overall lifting load (103 ton counter-weight)

unit : Metric ton

Boom length(m)	18	21	24	27	30	33	36	39	42	45	48	51	Boom length(m)
Working radius(m)													Working radius (m)
5													5
6	13.5	6.5m ×13.5											6
7	13.5	13.5	7.0m ×13.5	7.5m ×13.5									7
8	13.5	13.5	13.5	13.5	8.0m ×13.5	8.6m ×13.5							8
9	13.5	13.5	13.5	13.5	13.5	13.5	9.1m ×13.5	9.6m ×13.5					9
10	13.5	13.5	13.5	13.5	13.5	13.5	13.5	13.5	10.1m ×13.5	10.6m ×13.5	11.2m ×13.5	11.7m ×13.5	10
12	13.5	13.5	13.5	13.5	13.5	13.5	13.5	13.5	13.5	13.5	13.5	13.5	12
14	13.5	13.5	13.5	13.5	13.5	13.5	13.5	13.5	13.5	13.5	13.5	13.5	14
16	13.5	13.5	13.5	13.5	13.5	13.5	13.5	13.5	13.5	13.5	13.5	13.5	16
18	17.2m ×13.5	13.5	13.5	13.5	13.5	13.5	13.5	13.5	13.5	13.5	13.5	13.5	18
20		19.8m ×13.5	13.5	13.5	13.5	13.5	13.5	13.5	13.5	13.5	13.5	13.5	20
22			13.5	13.5	13.5	13.5	13.5	13.5	13.5	13.5	13.5	13.5	22
24			22.4m ×13.5	13.5	13.5	13.5	13.5	13.5	13.5	13.5	13.5	13.5	24
26				25.0m ×13.5	13.5	13.5	13.5	13.5	13.5	13.5	13.5	13.5	26
28					27.6m ×13.5	13.5	13.5	13.5	13.5	13.5	13.5	13.5	28
30						13.5	13.5	13.5	13.5	13.5	13.5	13.5	30
32						30.2m ×13.5	13.5	13.5	13.5	13.5	13.5	13.5	32
34							32.8m ×13.5	13.5	13.5	13.5	13.5	13.5	34
36								35.4m ×13.5	13.5	13.5	13.5	13.5	36
38									13.5	13.5	13.5	13.5	38
40										13.5	13.5	13.5	40
42										40.6m ×13.5	13.5	13.5	42
44											43.2m ×13.5	13.1	44
46												45.8m ×12.4	46
48													48
50													50
52													52
54													54
56													56
58													58
60													60
No. of Part line	1	1	1	1	1	1	1	1	1	1	1	1	No. of Part line

# SPECIFICATIONS

unit : Metric ton

Boom length(m) Working radius(m)	54	57	60	63	66	69	72	75	78	81	84	87	Boom length(m) Working radius (m)
5													5
6													6
7													7
8													8
9													9
10													10
12	12.2m ×13.5	12.7m ×13.5	13.3m ×13.5	13.8m ×13.5									12
14	13.5	13.5	13.5	13.5	14.3m ×13.5	14.8m ×13.5	15.3m ×13.5	15.9m ×13.5					14
16	13.5	13.5	13.5	13.5	13.5	13.5	13.5	13.5	16.4m ×13.5	16.9m ×13.5	17.4m ×13.5	17.9m ×13.5	16
18	13.5	13.5	13.5	13.5	13.5	13.5	13.5	13.5	13.5	13.5	13.5	13.5	18
20	13.5	13.5	13.5	13.5	13.5	13.5	13.5	13.5	13.5	13.5	13.5	13.5	20
22	13.5	13.5	13.5	13.5	13.5	13.5	13.5	13.5	13.5	13.5	13.5	13.5	22
24	13.5	13.5	13.5	13.5	13.5	13.5	13.5	13.5	13.5	13.5	13.5	13.5	24
26	13.5	13.5	13.5	13.5	13.5	13.5	13.5	13.5	13.5	13.5	13.5	13.5	26
28	13.5	13.5	13.5	13.5	13.5	13.5	13.5	13.5	13.5	13.5	13.5	13.5	28
30	13.5	13.5	13.5	13.5	13.5	13.5	13.5	13.5	13.5	13.5	13.5	13.5	30
32	13.5	13.5	13.5	13.5	13.5	13.5	13.5	13.5	13.5	13.5	13.5	13.5	32
34	13.5	13.5	13.5	13.5	13.5	13.5	13.5	13.5	13.5	13.5	13.5	13.5	34
36	13.5	13.5	13.5	13.5	13.5	13.5	13.5	13.5	13.5	13.5	13.5	13.5	36
38	13.5	13.5	13.5	13.5	13.5	13.5	13.5	13.5	13.5	13.5	13.5	13.5	38
40	13.5	13.5	13.5	13.5	13.5	13.5	13.5	13.5	13.5	13.5	13.5	13.3	40
42	13.5	13.5	13.5	13.4	13.2	13.0	13.3	13.0	12.8	12.6	12.3	12.1	42
44	13.0	12.6	12.6	12.3	12.1	11.9	12.2	11.9	11.7	11.5	11.2	10.8	44
46	12.0	11.7	11.7	11.4	11.2	11.0	11.2	10.9	10.7	10.5	10.2	9.8	46
48	11.2	10.9	10.8	10.5	10.3	10.1	10.3	10.0	9.8	9.6	9.3	8.9	48
50	48.4m ×11.0	10.1	10.1	9.7	9.5	9.3	9.5	9.2	9.0	8.8	8.4	8.1	50
52		51.0m ×9.7	9.3	9.0	8.8	8.6	8.8	8.4	8.2	7.9	7.7	7.2	52
54			53.6m ×8.6	8.4	8.2	7.9	8.1	7.6	7.4	7.1	7.0	6.4	54
56				7.8	7.5	7.2	7.3	6.9	6.6	6.4	6.5	5.7	56
58				56.2m ×7.7	7.0	6.7	6.6	6.2	5.9	5.7	5.8	5.0	58
60					58.8m ×6.7	6.1	6.0	5.5	5.3	5.0	5.1	4.5	60
62						61.4m ×5.6	5.4	4.9	4.7	4.4	4.5	3.9	62
64							4.8	4.5	4.3	3.8	3.9	3.3	64
66								4.0	3.8	3.3	3.4	2.8	66
68								66.6m ×3.8	3.3	3.0	2.9	2.3	68
70									69.2m ×3.0	2.5	2.4	1.8	70
72										71.8m ×2.1	1.9	1.4	72
74											1.5		74
76											74.4m ×1.4		76
No. of Part line	1	1	1	1	1	1	1	1	1	1	1	1	No. of Part line

# SPECIFICATIONS

## 5-4 13~37m aux. jib rated lifting load (103 ton counter-weight)

unit : Metric ton

Boom length (m)	45									
Jib length (m)	13		19		25		31		37	
Jib offset angle	10°	30°	10°	30°	10°	30°	10°	30°	10°	30°
Working radius (m)	10°	30°	10°	30°	10°	30°	10°	30°	10°	30°
No. of part line	2	2	2	1	1	1	1	1	1	1
14	25.0									
16	25.0		16.5m× 22.0							
18	25.0	19.6	20.4		18.5m× 13.5					
20	25.0	18.9	19.7		13.0		20.5m× 7.2			
22	24.3	18.4	19.0	22.5m× 13.5	12.7		7.1		22.5m× 5.0	
24	23.3	17.6	18.3	13.5	12.5		7.0		5.0	
26	22.3	16.9	17.7	13.4	12.3	8.7	6.8		4.9	
28	21.4	16.3	17.2	13.1	12.1	8.5	6.7		4.8	
30	20.4	15.8	16.7	12.7	11.9	8.4	6.6	5.5	4.7	
32	19.5	15.3	16.2	12.2	11.6	8.2	6.5	5.4	4.6	
34	18.8	14.8	15.8	11.8	11.4	8.0	6.4	5.4	4.4	3.2
36	18.0	14.4	15.0	11.4	11.2	7.9	6.2	5.3	4.2	3.1
38	17.3	14.1	14.2	11.1	11.0	7.7	6.1	5.2	4.0	3.1
40	16.4	13.7	13.6	10.8	10.8	7.5	6.0	5.2	3.9	3.0
42	15.2	13.5	13.0	10.5	10.6	7.4	5.9	5.1	3.7	3.0
44	14.1	13.2	12.5	10.2	10.3	7.2	5.7	5.0	3.6	2.8
46	13.1	13.0	12.0	10	10.1	7.1	5.6	4.9	3.5	2.8
48	12.2	12.4	11.6	9.8	9.9	6.9	5.5	4.8	3.3	2.7
50	11.3	11.5	11.2	9.6	9.7	6.7	5.4	4.8	3.2	2.6
52	10.6	10.7	10.8	9.4	9.5	6.6	5.3	4.7	3.1	2.5
54	53.0m× 10.0	53.5m× 10.0	10.4	9.3	9.2	6.4	5.1	4.6	3.0	2.5
56			9.7	9.2	9.0	6.3	5.0	4.6	2.9	2.4
58			9.1	9.1	8.8	6.3	4.9	4.5	2.8	2.4
60			58.5m× 8.8	8.7	8.6	6.3	4.8	4.4	2.7	2.3
62					8.3	6.3	4.7	4.4	2.7	2.3
64					7.8	6.3	4.5	4.3	2.6	2.2
66					64.5m× 7.7	6.3	4.4	4.3	2.5	2.2
68							4.3	4.3	2.4	2.2
70							4.2	4.2	2.4	2.1
72								4.2	2.3	2.1
74									2.2	2.1
76									75.0m× 2.2	2.1
78										2.1
80										
82										
84										
86										

# SPECIFICATIONS

unit : Metric ton

Boom length (m)	48									
Jib length (m)	13		19		25		31		37	
Jib offset angle	10°	30°	10°	30°	10°	30°	10°	30°	10°	30°
Working radius (m)										
No. of part line	2	2	2	1	1	1	1	1	1	1
14										
16	15.0m× 25.0		17.0m× 21.9							
18	25.0	18.5m× 19.6	20.7		19.0m× 13.1					
20	25.0	19.0	19.9		13.0		21.0m× 7.2			
22	24.7	18.6	19.2	23.0m× 13.5	12.8		7.1		23.0m× 5.0	
24	23.8	17.9	18.6	13.5	12.6		7.0		5.0	
26	22.9	17.2	18.0	13.5	12.4	26.5m× 8.8	6.9		4.9	
28	22.0	16.6	17.5	13.2	12.2	8.6	6.8		4.8	
30	21.1	16.1	17.0	12.9	12.0	8.4	6.6	30.5m× 5.5	4.8	
32	20.1	15.6	16.5	12.4	11.8	8.3	6.5	5.4	4.6	
34	19.3	15.1	16.0	12.0	11.6	8.1	6.4	5.4	4.5	34.5m× 3.2
36	18.7	14.7	15.5	11.6	11.4	8.0	6.3	5.3	4.3	3.2
38	17.5	14.3	14.8	11.3	11.1	7.8	6.2	5.3	4.1	3.1
40	16.1	14.0	14.1	11.0	10.9	7.7	6.1	5.2	4.0	3.1
42	14.9	13.7	13.5	10.7	10.7	7.5	5.9	5.1	3.8	3.0
44	13.8	13.4	13.0	10.4	10.5	7.3	5.8	5.1	3.7	2.9
46	12.8	13.1	12.5	10.2	10.3	7.2	5.7	5.0	3.6	2.8
48	11.9	12.2	12.0	10.0	10.1	7.0	5.6	4.9	3.4	2.7
50	11.1	11.3	11.5	9.8	9.9	6.9	5.5	4.8	3.3	2.6
52	10.3	10.5	10.8	9.6	9.7	6.7	5.4	4.7	3.2	2.6
54	9.6	9.7	10.1	9.4	9.5	6.6	5.3	4.7	3.1	2.5
56	55.5m× 9.0	9.0	9.4	9.3	9.3	6.4	5.1	4.6	3.0	2.5
58		56.5m× 8.8	8.8	9.1	9.0	6.3	5.0	4.6	2.9	2.4
60			8.2	8.5	8.6	6.3	4.9	4.5	2.8	2.4
62			61.0m× 7.8	7.9	8.1	6.3	4.8	4.4	2.7	2.3
64				62.5m× 7.6	7.6	6.3	4.7	4.4	2.7	2.3
66					7.1	6.3	4.6	4.3	2.6	2.2
68					67.0m× 6.9	6.3	4.4	4.3	2.5	2.2
70						68.5m× 6.3	4.3	4.3	2.4	2.2
72							4.2	4.2	2.4	2.1
74							72.5m× 4.2	4.2	2.3	2.1
76								74.5m× 4.2	2.3	2.1
78									77.5m× 2.2	2.1
80										2.1
82										80.5m× 2.1
84										
86										

# SPECIFICATIONS

unit : Metric ton

Boom length (m)	51									
Jib length (m)	13		19		25		31		37	
Jib offset angle	10°	30°	10°	30°	10°	30°	10°	30°	10°	30°
Working radius (m)										
No. of part line	2	2	2	1	1	1	1	1	1	1
14	15.5m× 25.0									
16	25.0		17.5m× 21.8							
18	25.0	19.0m× 19.6	20.9		19.5m× 13.2					
20	25.0	19.1	20.1		13.1		21.5m× 7.2			
22	25.0	18.7	19.5	23.5m× 13.5	12.9		7.1		23.5m× 5.0	
24	24.2	18.2	18.8	13.5	12.7		7.0		5.0	
26	23.3	17.5	18.3	13.5	12.5	27.0m× 8.8	6.9		4.9	
28	22.5	16.9	17.7	13.3	12.3	8.6	6.8		4.9	
30	21.6	16.4	17.2	13.1	12.1	8.5	6.7	31.0m× 5.5	4.8	
32	20.8	15.9	16.8	12.6	11.9	8.3	6.6	5.5	4.7	
34	19.9	15.4	16.3	12.2	11.7	8.2	6.5	5.4	4.6	35.0× 3.2
36	18.8	15.0	15.9	11.9	11.5	8.0	6.4	5.4	4.4	3.2
38	17.3	14.6	15.3	11.5	11.3	7.9	6.3	5.3	4.2	3.1
40	15.9	14.3	14.6	11.2	11.1	7.7	6.1	5.2	4.0	3.1
42	14.7	13.9	14.0	10.9	10.9	7.6	6.0	5.2	3.9	3.0
44	13.6	13.7	13.4	10.6	10.7	7.4	5.9	5.1	3.8	3.0
46	12.6	13.0	12.9	10.4	10.5	7.3	5.8	5.0	3.6	2.8
48	11.7	12.0	12.2	10.2	10.3	7.2	5.7	4.9	3.5	2.8
50	10.8	11.1	11.3	9.9	10.1	7.0	5.6	4.9	3.4	2.7
52	10.0	10.3	10.6	9.7	9.9	6.9	5.5	4.8	3.3	2.6
54	9.3	9.6	9.8	9.6	9.7	6.7	5.4	4.7	3.2	2.6
56	8.7	8.9	9.2	9.4	9.5	6.6	5.2	4.7	3.1	2.5
58	8.1	8.2	8.6	8.9	8.9	6.4	5.1	4.6	3.0	2.4
60		59.0m× 7.8	8.0	8.3	8.3	6.3	5.0	4.6	2.9	2.4
62			7.5	7.7	7.8	6.3	4.9	4.5	2.8	2.3
64			7.0	7.2	7.3	6.2	4.8	4.4	2.7	2.3
66				65.0m× 6.8	6.9	6.2	4.7	4.4	2.7	2.3
68					6.5	6.2	4.6	4.3	2.6	2.2
70					69.5m× 6.0	6.2	4.5	4.3	2.5	2.2
72						71.0m× 6.1	4.4	4.3	2.4	2.2
74							4.2	4.2	2.4	2.1
76							75.0m× 4.1	4.2	2.3	2.1
78								77.0m× 4.1	2.3	2.1
80									2.2	2.1
82										2.1
84										83.0m× 2.1
86										



## SPECIFICATIONS

unit : Metric ton

Boom length (m)	51									
Jib length (m)	13		19		25		31		37	
Jib offset angle	10°	30°	10°	30°	10°	30°	10°	30°	10°	30°
Working radius (m)										
No. of part line	2	2	2	1	1	1	1	1	1	1
14										
16	25.0									
18	25.0	19.5m× 19.6	21.8							
20	25.0	19.2	20.4		13.1					
22	25.0	18.8	19.7		12.9		7.2			
24	24.6	18.4	19.1	13.5	12.7		7.1		24.5m× 5.0	
26	23.8	17.8	18.5	13.5	12.5	27.5m× 8.8	7.0		5.0	
28	23.0	17.2	18.0	13.4	12.4	8.7	6.8		4.9	
30	22.2	16.6	17.5	13.1	12.2	8.5	6.7	31.5m× 5.5	4.8	
32	21.3	16.1	17.0	12.8	12.0	8.4	6.6	5.5	4.7	
34	20.3	15.7	16.6	12.4	11.8	8.2	6.5	5.4	4.6	35.5m× 3.2
36	18.6	15.3	16.2	12.0	11.6	8.1	6.4	5.4	4.5	3.2
38	17.1	14.9	15.8	11.7	11.4	8.0	6.3	5.3	4.3	3.1
40	15.7	14.5	15.1	11.4	11.2	7.8	6.2	5.3	4.1	3.1
42	14.5	14.2	14.4	11.1	11.0	7.7	6.1	5.2	4.0	3.1
44	13.4	13.8	13.8	10.8	10.8	7.5	6.0	5.2	3.8	3.0
46	12.3	12.8	12.9	10.6	10.6	7.4	5.9	5.1	3.7	2.9
48	11.4	11.8	12.0	10.3	10.4	7.3	5.8	5.0	3.6	2.8
50	10.6	10.9	11.1	10.1	10.2	7.1	5.7	4.9	3.5	2.7
52	9.8	10.1	10.3	9.9	10.0	7.0	5.6	4.8	3.4	2.7
54	9.1	9.4	9.6	9.7	9.9	6.8	5.5	4.8	3.3	2.6
56	8.5	8.7	9.0	9.5	9.3	6.7	5.3	4.7	3.2	2.5
58	7.9	8.0	8.4	8.8	8.7	6.6	5.2	4.7	3.1	2.5
60	7.2	7.4	7.8	8.1	8.1	6.4	5.1	4.6	3.0	2.4
62	61.0m× 6.9	6.8	7.2	7.6	7.6	6.3	5.0	4.6	2.9	2.4
64			6.7	7.0	7.1	6.3	4.9	4.5	2.8	2.3
66			6.1	6.4	6.7	6.2	4.8	4.4	2.7	2.3
68			66.5m× 6.0	5.8	6.2	6.2	4.7	4.4	2.7	2.3
70					5.7	6.1	4.6	4.3	2.6	2.2
72					5.2	5.5	4.5	4.3	2.5	2.2
74					72.5m× 5.1	5.0	4.4	4.3	2.5	2.2
76							4.3	4.3	2.4	2.1
78							77.5m× 4.2	4.2	2.3	2.1
80								4.1	2.3	2.1
82									2.2	2.1
84									83.0m× 2.2	2.1
86										2.1
88										

# SPECIFICATIONS

unit : Metric ton

Boom length (m)	57									
Jib length (m)	13		19		25		31		37	
Jib offset angle	10°	30°	10°	30°	10°	30°	10°	30°	10°	30°
Working radius (m)										
No. of part line	2	2	2	1	1	1	1	1	1	1
14										
16	16.5m× 25.0									
18	25.0		18.5m× 22.0							
20	25.0	19.6	20.6		20.5m× 13.2					
22	25.0	18.9	19.9		13.0		22.5m× 7.2			
24	25.0	18.6	19.3	24.5m× 13.5	12.8		7.1		25.0m× 5.0	
26	24.2	18.0	18.7	13.5	12.6		7.0		5.0	
28	23.4	17.4	18.2	13.5	12.4	8.7	6.9		4.9	
30	22.6	16.9	17.7	13.2	12.2	8.6	6.8		4.8	
32	21.3	16.4	17.3	13.0	12.1	8.4	6.7	5.5	4.8	
34	20.1	15.9	16.8	12.6	11.9	8.3	6.6	5.5	4.6	
36	18.3	15.5	16.4	12.2	11.7	8.2	6.5	5.4	4.5	3.2
38	16.8	15.1	16.0	11.9	11.5	8.0	6.4	5.3	4.4	3.2
40	15.4	14.7	15.6	11.6	11.3	7.9	6.3	5.3	4.2	3.1
42	14.2	14.4	14.8	11.3	11.1	7.8	6.2	5.2	4.1	3.1
44	13.1	13.6	13.6	11.0	11.0	7.6	6.1	5.2	3.9	3.0
46	12.1	12.5	12.6	10.7	10.8	7.5	6.0	5.1	3.8	2.9
48	11.2	11.6	11.7	10.5	10.6	7.4	5.9	5.0	3.7	2.8
50	10.3	10.7	10.8	10.3	10.4	7.2	5.8	5.0	3.6	2.8
52	9.6	9.9	10.1	10.1	10.2	7.1	5.6	4.9	3.4	2.7
54	8.8	9.1	9.4	9.9	9.7	7.0	5.5	4.8	3.3	2.6
56	8.2	8.4	8.7	9.2	9.0	6.8	5.4	4.8	3.2	2.6
58	7.5	7.8	8.1	8.5	8.4	6.7	5.3	4.7	3.1	2.5
60	6.9	7.1	7.5	7.9	7.9	6.6	5.2	4.7	3.1	2.5
62	6.2	6.4	6.9	7.3	7.4	6.4	5.1	4.6	3.0	2.4
64	63.5m× 5.8	5.8	6.3	6.7	6.9	6.3	5.0	4.5	2.9	2.4
66			5.8	6.1	6.3	6.3	4.9	4.5	2.8	2.3
68			5.2	5.5	5.8	6.2	4.8	4.4	2.7	2.3
70			69.0m× 5.0	5.0	5.3	5.7	4.7	4.4	2.7	2.3
72				70.5m× 4.8	4.9	5.2	4.6	4.3	2.6	2.2
74					4.4	4.7	4.5	4.3	2.5	2.2
76					75.0m× 4.2	4.2	4.4	4.3	2.5	2.2
78						76.5m× 4.1	4.0	4.3	2.4	2.1
80							3.7	3.9	2.3	2.1
82							80.5m× 3.5	3.5	2.3	2.1
84								82.5m× 3.4	2.2	2.1
86									85.5m× 2.2	2.1
88										2.1
90										88.5m× 2.1

## SPECIFICATIONS

unit : Metric ton

Boom length (m)	60									
Jib length (m)	13		19		25		31		37	
Jib offset angle	10°	30°	10°	30°	10°	30°	10°	30°	10°	30°
Working radius (m)										
No. of part line	2	2	2	1	1	1	1	1	1	1
14										
16	17.0m× 25.0									
18	25.0		19.5m× 21.8							
20	25.0	21.0m× 19.6	20.8		21.0m× 13.2					
22	25.0	19.0	20.1		13.0		23.0m× 7.2			
24	24.6	18.7	19.5	25.0m× 13.5	12.9		7.1		25.5m× 5.0	
26	23.6	18.3	19.0	13.5	12.7		7.0		5.0	
28	22.7	17.7	18.4	13.5	12.5	28.5m× 8.8	6.9		4.9	
30	22.1	17.1	17.9	13.3	12.3	8.6	6.8		4.9	
32	21.5	16.6	17.5	13.1	12.1	8.5	6.7	32.5m× 5.5	4.8	
34	19.8	16.2	17.0	12.8	12.0	8.4	6.6	5.5	4.7	
36	18.1	15.7	16.6	12.4	11.8	8.2	6.5	5.4	4.6	36.5m× 3.2
38	16.6	15.3	16.3	12.1	11.6	8.1	6.4	5.4	4.5	3.2
40	15.2	15.0	15.8	11.7	11.4	8.0	6.3	5.3	4.3	3.1
42	13.9	14.5	14.5	11.4	11.3	7.8	6.2	5.3	4.1	3.1
44	12.8	13.4	13.4	11.2	11.1	7.7	6.1	5.2	4.0	3.0
46	11.8	12.3	12.4	10.9	10.9	7.6	6.0	5.2	3.9	3.0
48	10.9	11.4	11.5	10.7	10.7	7.5	5.9	5.1	3.7	2.9
50	10.1	10.5	10.6	10.4	10.5	7.3	5.8	5.0	3.6	2.8
52	9.3	9.7	9.8	10.2	10.1	7.2	5.7	4.9	3.5	2.7
54	8.6	8.9	9.1	9.7	9.4	7.1	5.6	4.9	3.4	2.7
56	7.9	8.2	8.5	9.0	8.8	6.9	5.5	4.8	3.3	2.6
58	7.2	7.5	7.8	8.3	8.2	6.8	5.4	4.8	3.2	2.6
60	6.5	6.8	7.2	7.7	7.7	6.7	5.3	4.7	3.1	2.5
62	5.9	6.2	6.6	7.1	7.2	6.6	5.2	4.6	3.0	2.5
64	5.4	5.5	6.0	6.4	6.6	6.4	5.1	4.6	3.0	2.4
66	4.8	5.0	5.4	5.8	6.0	6.3	5.0	4.5	2.9	2.4
68		67.0m× 4.7	4.9	5.3	5.5	6.0	4.9	4.5	2.8	2.3
70			4.4	4.7	5.0	5.5	4.8	4.4	2.7	2.3
72			71.5m× 4.0	4.2	4.6	5.0	4.7	4.4	2.7	2.3
74				73.0m× 3.9	4.1	4.5	4.4	4.3	2.6	2.2
76					3.7	4.0	4.0	4.3	2.5	2.2
78					77.5m× 3.4	3.6	3.6	4.0	2.5	2.2
80						79.0m× 3.3	3.3	3.6	2.4	2.1
82							3.1	3.2	2.4	2.1
84							83.0m× 2.8	2.9	2.3	2.1
86								85.0m× 2.7		2.1
88										

# SPECIFICATIONS

unit : Metric ton

Boom length (m)	63									
Jib length (m)	13		19		25		31		37	
Jib offset angle	10°	30°	10°	30°	10°	30°	10°	30°	10°	30°
Working radius (m)										
No. of part line	2	2	2	1	1	1	1	1	1	1
14										
16	17.5m× 25.0									
18	25.0									
20	25.0	21.5m× 19.6	20.9		21.5m× 13.2					
22	24.9	19.1	20.3		13.1					
24	24.3	18.8	19.7	25.5m× 13.5	12.9		7.2			
26	23.7	18.5	19.2	13.5	12.7		7.1		5.0	
28	23.2	17.9	18.6	13.5	12.6	29.0m× 8.8	7.0		5.0	
30	22.6	17.4	18.2	13.4	12.4	8.6	6.9		4.9	
32	21.8	16.9	17.7	13.2	12.2	8.5	6.8	33.0m× 5.5	4.8	
34	19.7	16.4	17.3	13.0	12.1	8.4	6.7	5.5	4.8	
36	18.0	16.0	16.9	12.6	11.9	8.3	6.6	5.4	4.6	37.0m× 3.2
38	16.5	15.6	16.5	12.2	11.7	8.2	6.5	5.4	4.5	3.2
40	15.1	15.2	15.6	11.9	11.5	8.0	6.4	5.3	4.3	3.1
42	13.8	14.5	14.4	11.6	11.4	7.9	6.3	5.3	4.2	3.1
44	12.7	13.3	13.3	11.3	11.2	7.8	6.2	5.2	4.1	3.1
46	11.7	12.3	12.3	11.1	11.0	7.7	6.1	5.2	3.9	3.0
48	10.8	11.3	11.3	10.8	10.9	7.5	6.0	5.1	3.8	2.9
50	10.0	10.4	10.5	10.6	10.7	7.4	5.9	5.1	3.7	2.8
52	9.2	9.6	9.7	10.3	9.9	7.3	5.8	5.0	3.6	2.8
54	8.5	8.9	9.0	9.6	9.2	7.2	5.7	4.9	3.5	2.7
56	7.7	8.1	8.3	8.9	8.6	7.0	5.6	4.8	3.4	2.6
58	7.0	7.4	7.7	8.3	8.0	6.9	5.5	4.8	3.3	2.6
60	6.4	6.7	7.0	7.6	7.6	6.8	5.4	4.7	3.2	2.5
62	5.8	6.0	6.4	6.9	7.0	6.7	5.3	4.7	3.1	2.5
64	5.2	5.4	5.8	6.3	6.4	6.5	5.2	4.6	3.0	2.4
66	4.7	4.9	5.3	5.7	5.8	6.3	5.1	4.6	2.9	2.4
68	4.2	4.3	4.8	5.2	5.3	5.9	5.0	4.5	2.9	2.4
70	68.5m× 4.0	69.5m× 3.9	4.3	4.6	4.8	5.3	4.9	4.5	2.8	2.3
72			3.8	4.1	4.4	4.8	4.5	4.4	2.7	2.3
74			3.4	3.6	4.0	4.4	4.1	4.4	2.7	2.2
76				75.5m× 3.3	3.5	3.9	3.7	4.2	2.6	2.2
78					3.2	3.5	3.4	3.8	2.5	2.2
80					2.8	3.0	3.2	3.4	2.5	2.2
82							2.9	3.0	2.4	2.1
84							2.5	2.8		2.1
86								2.5		2.1
88										

# SPECIFICATIONS

unit : Metric ton

Boom length (m)	66									
Jib length (m)	13		19		25		31		37	
Jib offset angle	10°	30°	10°	30°	10°	30°	10°	30°	10°	30°
Working radius (m)										
No. of part line	2	2	2	1	1	1	1	1	1	1
14										
16										
18	25.0									
20	25.0		20.5m× 21.8							
22	25.0	19.5	20.5		13.1					
24	24.5	18.9	19.9		13.0		24.5m× 7.2			
26	24.0	18.6	19.4	13.5	12.8		7.1		26.5m× 5.0	
28	23.3	18.1	18.8	13.5	12.6		7.0		5.0	
30	22.6	17.6	18.4	13.5	12.5	8.7	6.9		4.9	
32	21.5	17.1	17.9	13.2	12.3	8.6	6.8	33.5m× 5.5	4.9	
34	19.5	16.6	17.5	13.1	12.1	8.4	6.7	5.5	4.8	
36	17.7	16.2	17.1	12.7	12.0	8.3	6.6	5.5	4.7	37.5m× 3.2
38	16.2	15.8	16.7	12.4	11.8	8.2	6.5	5.4	4.6	3.2
40	14.8	15.4	15.4	12.1	11.6	8.1	6.4	5.4	4.5	3.2
42	13.6	14.2	14.1	11.8	11.5	8.0	6.3	5.3	4.3	3.1
44	12.5	13.1	13.0	11.5	11.3	7.8	6.2	5.3	4.1	3.1
46	11.5	12.0	12.0	11.2	11.1	7.7	6.1	5.2	4.0	3.0
48	10.6	11.1	11.1	11.0	11.0	7.6	6.1	5.2	3.9	3.0
50	9.7	10.2	10.2	10.8	10.5	7.5	6.0	5.1	3.8	2.8
52	8.9	9.4	9.5	10.2	9.7	7.4	5.9	5.0	3.7	2.8
54	8.1	8.6	8.7	9.4	9.0	7.3	5.8	4.9	3.6	2.7
56	7.4	7.8	8.0	8.7	8.4	7.1	5.7	4.9	3.5	2.7
58	6.7	7.1	7.3	8.0	8.0	7.0	5.6	4.8	3.4	2.6
60	6.0	6.4	6.6	7.3	7.2	6.9	5.5	4.8	3.3	2.6
62	5.4	5.7	6.0	6.6	6.6	6.8	5.4	4.7	3.2	2.5
64	4.8	5.1	5.4	6.0	6.0	6.5	5.3	4.7	3.1	2.5
66	4.3	4.5	4.9	5.4	5.5	6.1	5.2	4.6	3.0	2.4
68	3.8	4.0	4.4	4.8	5.0	5.6	5.1	4.6	2.9	2.4
70	3.3	3.5	3.9	4.3	4.5	5.0	4.7	4.5	2.9	2.3
72		3.0	3.5	3.8	4.0	4.5	4.3	4.5	2.8	2.3
74			3.0	3.3	3.6	4.1	3.9	4.4	2.7	2.3
76			2.6	2.9	3.2	3.6	3.5	3.9	2.7	2.2
78				2.5	2.8	3.2	3.2	3.5	2.6	2.2
80					2.4	2.7	2.9	3.1	2.5	2.2
82					2.1	2.3	2.5	2.9		2.2
84							2.2	2.6		2.1
86								2.2		
88										

# SPECIFICATIONS

unit : Metric ton

Boom length (m)	69									
Jib length (m)	13		19		25		31		37	
Jib offset angle	10°	30°	10°	30°	10°	30°	10°	30°	10°	30°
Working radius (m)										
No. of part line	2	2	2	1	1	1	1	1	1	1
14										
16										
18	18.5m× 25									
20	25.0		21.0m× 21.8							
22	25.0	22.5m× 19.5	20.7		23.0m× 13.1					
24	24.7	19.0	20.1		13.0		25.0m× 7.2			
26	24.2	18.7	19.5	26.5m× 13.5	12.8		7.1		27.0m× 5.0	
28	23.6	18.3	19.0	13.5	12.7		7.0		5.0	
30	23.2	17.8	18.6	13.5	12.5	30.5m× 8.8	6.9		4.9	
32	21.1	17.3	18.1	13.3	12.4	8.6	6.8		4.9	
34	19.3	16.8	17.7	13.1	12.2	8.5	6.7	5.5	4.8	
36	17.6	16.4	17.3	12.9	12.0	8.4	6.7	5.5	4.7	
38	16.1	16.0	16.6	12.6	11.9	8.3	6.6	5.4	4.6	3.2
40	14.7	15.4	15.3	12.2	11.7	8.1	6.5	5.4	4.5	3.2
42	13.4	14.1	14.0	11.9	11.6	8.0	6.4	5.3	4.3	3.1
44	12.3	13.0	12.9	11.6	11.4	7.9	6.3	5.3	4.2	3.1
46	11.3	11.9	11.8	11.4	11.2	7.8	6.2	5.2	4.1	3.1
48	10.4	10.9	10.9	11.1	11.0	7.7	6.1	5.2	4.0	3.0
50	9.5	10.0	10.1	10.8	10.2	7.6	6.0	5.1	3.8	2.9
52	8.7	9.2	9.3	10.1	9.4	7.5	5.9	5.1	3.7	2.8
54	7.9	8.4	8.5	9.3	8.7	7.3	5.8	5.0	3.6	2.8
56	7.1	7.6	7.8	8.6	8.3	7.2	5.8	4.9	3.5	2.7
58	6.4	6.8	7.0	7.8	7.7	7.1	5.7	4.9	3.4	2.6
60	5.7	6.1	6.4	7.1	7.0	7.0	5.6	4.8	3.3	2.6
62	5.1	5.5	5.8	6.4	6.4	6.8	5.5	4.8	3.2	2.5
64	4.6	4.9	5.2	5.8	5.8	6.5	5.4	4.7	3.2	2.5
66	4.0	4.3	4.6	5.2	5.2	5.9	5.3	4.7	3.1	2.5
68	3.5	3.8	4.1	4.6	4.7	5.4	4.8	4.6	3.0	2.4
70	3.0	3.2	3.6	4.1	4.2	4.8	4.3	4.6	2.9	2.4
72	2.6	2.8	3.2	3.6	3.8	4.3	3.9	4.5	2.9	2.3
74		2.3	2.8	3.1	3.3	3.8	3.7	4.0	2.8	2.3
76			2.3	2.7	2.9	3.4	3.4	3.6	2.7	2.3
78				2.2	2.5	2.9	3.0	3.2	2.7	2.2
80					2.2	2.5	2.6	2.9		2.2
82						2.1	2.2	2.8		2.2
84								2.4		
86										

## SPECIFICATIONS

unit : Metric ton

Boom length (m)	72									
Jib length (m)	13		19		25		31		37	
Jib offset angle	10°	30°	10°	30°	10°	30°	10°	30°	10°	30°
Working radius (m)										
No. of part line	2	2	2	1	1	1	1	1	1	1
14										
16										
18	19.0m× 25.0									
20	25.0		21.5m× 21.8							
22	25.0	23.0m× 19.5	20.8		23.5m× 13.2					
24	24.9	19.0	20.2		13.1		25.5× 7.2			
26	24.4	18.8	19.7	27.0m× 13.5	12.7		7.1		27.5m× 5.0	
28	23.9	18.5	19.2	13.5	12.3		7.0		5.0	
30	22.8	18.0	18.7	13.5	11.9	31.0m× 8.8	7.0		5.0	
32	20.7	17.5	18.3	13.4	11.5	8.6	6.9		4.9	
34	19.1	17.0	17.9	13.2	11.1	8.5	6.8	34.5m× 5.5	4.8	
36	17.4	16.6	17.5	13.0	10.7	8.4	6.7	5.5	4.8	
38	15.9	16.2	16.4	12.7	10.3	8.3	6.6	5.4	4.6	38.5m× 3.2
40	14.5	15.2	15.1	12.4	10.0	8.2	6.5	5.4	4.6	3.2
42	13.2	14.0	13.9	12.1	9.8	8.1	6.4	5.3	4.5	3.1
44	12.1	12.8	12.7	11.8	9.6	8	6.3	5.3	4.3	3.1
46	11.1	11.8	11.7	11.5	9.4	7.9	6.3	5.3	4.1	3.1
48	10.2	10.8	10.7	11.3	9.2	7.8	6.2	5.2	4.0	3.0
50	9.3	9.9	9.9	10.7	9.0	7.6	6.1	5.2	3.9	3.0
52	8.4	9.0	9.1	9.9	8.8	7.5	6.0	5.1	3.8	2.8
54	7.6	8.2	8.3	9.1	8.6	7.4	5.9	5.0	3.7	2.8
56	6.8	7.3	7.5	8.3	8.1	7.3	5.8	5.0	3.6	2.7
58	6.1	6.6	6.8	7.6	7.4	7.2	5.7	4.9	3.5	2.7
60	5.5	5.9	6.1	6.8	6.7	7.1	5.6	4.8	3.4	2.6
62	4.9	5.2	5.5	6.2	6.1	6.6	5.6	4.8	3.3	2.6
64	4.3	4.6	4.9	5.5	5.5	6.4	5.5	4.8	3.2	2.5
66	3.7	4.1	4.4	4.9	5.0	5.7	5.0	4.7	3.1	2.5
68	3.2	3.5	3.8	4.4	4.4	5.1	4.5	4.7	3.1	2.4
70	2.8	3.0	3.4	3.9	3.9	4.6	4.1	4.6	3.0	2.4
72	2.3	2.5	2.9	3.4	3.5	4.1	3.8	4.3	2.9	2.4
74		2.1	2.5	2.9	3.1	3.6	3.6	3.8	2.9	2.3
76			2.1	2.4	2.6	3.2	3.1	3.4	2.8	2.3
78					2.3	2.7	2.7	3.0		2.3
80						2.3	2.3	2.9		2.2
82								2.5		
84								2.1		
86										